

> 285 Stainless steel rosette

SIZE	CODE	PACKING
3/8" (DN 10)	2850038	100/2500
1/2" (DN 15)	2850012	100/4000

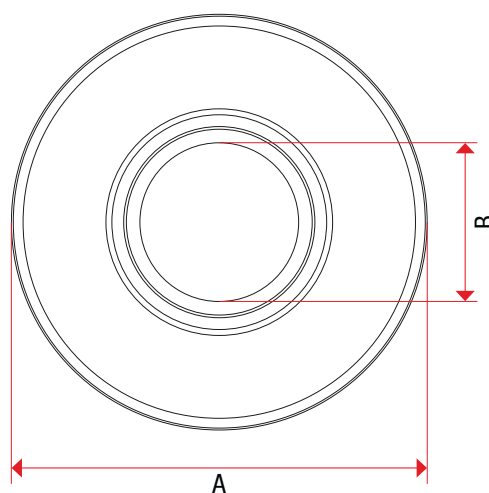


> CERTIFICATIONS

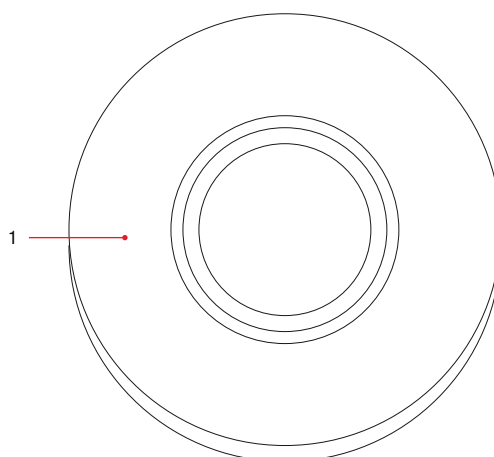


> OVERALL DIMENSIONS

	3/8"	1/2"
DN	10	15
A	55	55
B	18,7	21,1



> MATERIALS



POS.	DESCRIPTION	N.	MATERIAL
1	Rosette	1	Stainless steel AISI 430