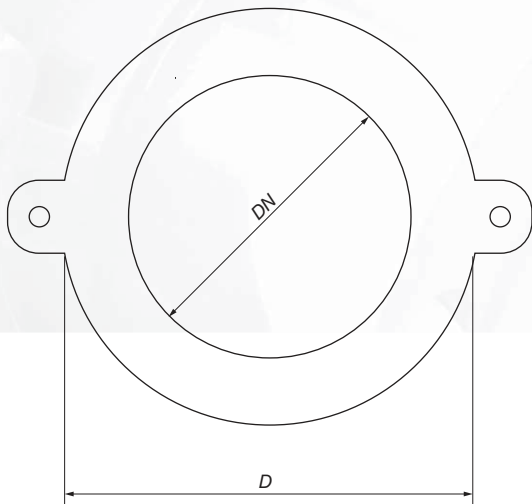


GARNITURI PENTRU FLANȘE



No.	DN	D
1.	40	85
2.	50	85
3.	65	115
4.	80	135
5.	100	155
6.	125	175
7.	150	210
8.	200	260
9.	250	300
10.	300	360
11.	400	480
12.	500	570
13.	600	785

Material: EPDM
 Norm: PN-EN 681-1:2002
 Gaskets with a metal insert on request.