

# 391

## WASHING MACHINE BALL VALVE



SIZE	PRESSURE	CODE	PACKING
1/2" (DN 15)	16bar/232psi	3910012	12/192

### TECHNICAL SPECIFICATIONS

Metal handle.

Available size: 1/2"x1/2".

Male/male threads.

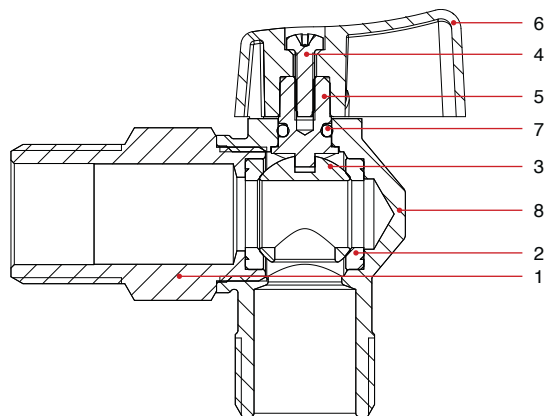
Body in nickel-plated brass.

Minimum and maximum working temperatures:

0°C, 110°C in absence of steam.

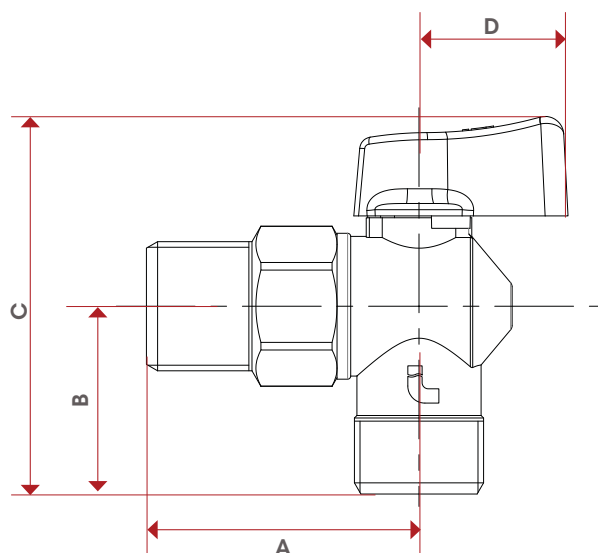
Threads ISO228 (equivalent to DIN EN ISO 228 and BS EN ISO 228).

### MATERIALS



POS.	DESCRIPTION	N.	MATERIAL
1	End adapter	1	Nickel-plated brass CW617N
2	Seat	2	P.T.F.E.
3	Ball	1	Chrome-plated brass CW614N
4	Screw	1	Zinc-plated steel Fe
5	Stem	1	Brass CW614N
6	Handle	1	Zinc-plated aluminium ZnAl4 (Zamak 3)
7	O-ring	1	NBR
8	Body	1	Nickel-plated brass CW617N

### OVERALL DIMENSIONS



	<b>1/2"</b>
DN	15
A	44
B	30
C	61
D	24
Kg/cm <sup>2</sup> bar	16
LBS - psi	232

### CERTIFICATIONS

