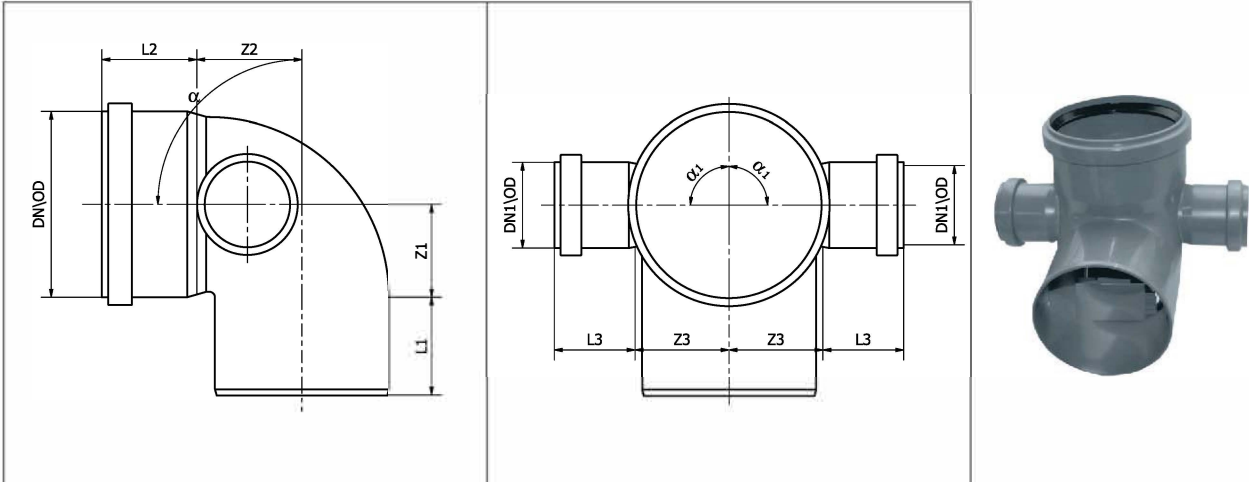


5. ASSORTMENT


5.2 FITTINGS OF POLYPROPYLENE (PP) FOR THE INTERNAL SEWAGE SYSTEM

**ELBOW
SHAPE TEE FITTING**

Diameter DN/OD (mm)	Diameter DN1/OD (mm)	Angle α (°)	Angle α_1 (°)	Wall thickness (mm)	Z 1 (mm)	Z 2 (mm)	Z 3 (mm)	L 1 (mm)	L 2 (mm)	L 3 (mm)
110	50	87,5	90	2,7	54	64	60	64	60	51



PIESĂ DE CURĂȚIRE



Diameter DN/OD (mm)	Wall thickness (mm)	Z 1 (mm)	Z 2 (mm)	L 1 (mm)	L 2 (mm)	D 1 (mm)
50	1,8	27	30	56	51	45
75	1,9	39	43	61	47	70
110	2,7	53	61	63	60	99

