


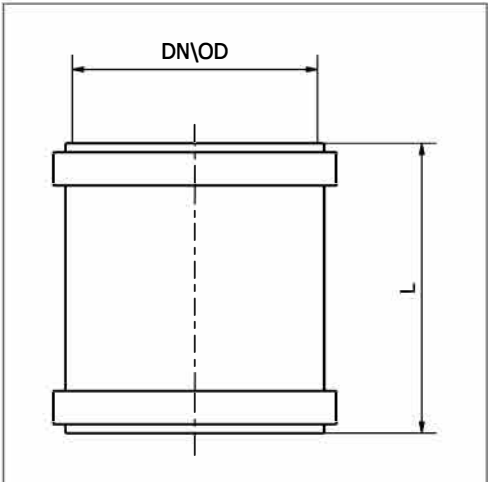
5. ASSORTMENT

5.2 FITTINGS OF POLYPROPYLENE (PP) FOR THE INTERNAL SEWAGE SYSTEM


SLEEVE JOINT



Diameter DN/OD (mm)	Wall thickness (mm)	L (mm)
32	1,8	85
40	1,8	89
50	1,8	105
75	1,9	108
110	2,7	130



DOP



Diameter DN/OD (mm)	Wall thickness (mm)	D1 (mm)	L (mm)	L1 (mm)
32	1,8	37	30	27
40	1,8	47	36	33
50	1,8	61	41	38
75	1,9	86	47	43
110	2,7	124	61	57

