


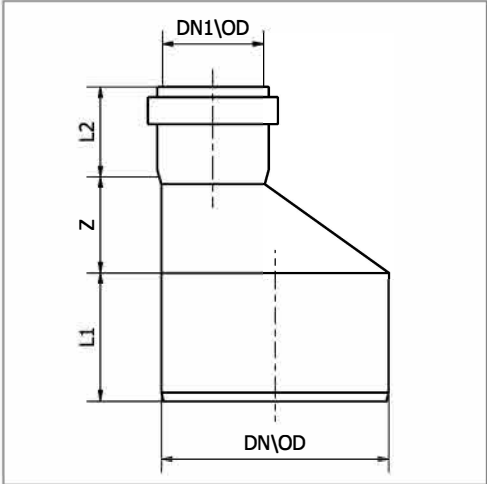
5. ASSORTMENT

5.2 FITTINGS OF POLYPROPYLENE (PP) FOR THE INTERNAL SEWAGE SYSTEM


REDUCȚIE LUNGĂ



Diameter DN/OD (mm)	Diameter DN1/OD (mm)	Wall thickness (mm)	Z (mm)	L1 (mm)	L2 (mm)
40	32	1,8	15	49	47
50	32	1,8	13	52	47
50	40	1,8	12	56	50
75	50	1,9	19	53	51
110	50	2,7	37	62	51
110	75	2,7	26	62	55



ANGULAR REDUCER



Diameter DN/OD (mm)	Diameter DN1/OD (mm)	Angle α (°)	Wall thickness (mm)	Z1 (mm)	Z2 (mm)	L1 (mm)	L2 (mm)
50	32	90	1,8	27	32	52	47

