


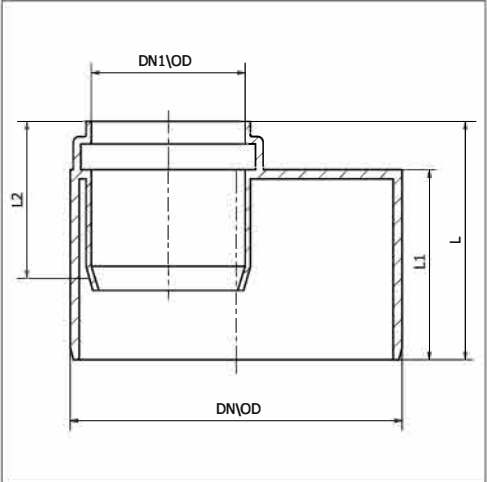
5. ASSORTMENT

5.2 FITTINGS OF POLYPROPYLENE (PP) FOR THE INTERNAL SEWAGE SYSTEM


● REDUCȚIE SCURTĂ



Diameter DN/OD (mm)	Diameter DN1/OD (mm)	Wall thickness (mm)	L (mm)	L1 (mm)	L2 (mm)
50	32	1,8	62	48	47
50	40	1,8	64	48	50
75	50	1,9	71	54	51
110	50	2,7	79	62	51
110	75	2,7	79	62	55



● MUȚĂ



Diameter DN/OD (mm)	Wall thickness (mm)	L (mm)	L1 (mm)
32	1,8	85	41
40	1,8	89	43
50	1,8	105	51
75	1,9	108	52
110	2,7	130	63

