


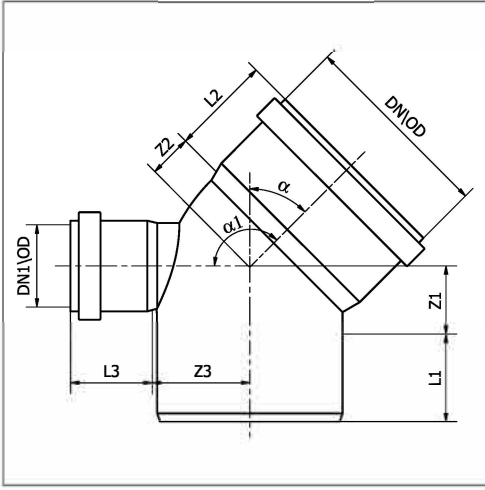
5. ASSORTMENT

5.2 FITTINGS OF POLYPROPYLENE (PP) FOR THE INTERNAL SEWAGE SYSTEM


● TEU CU COT 110/50/45/135



Diameter DN/OD (mm)	Diameter DN1/OD (mm)	Angle α (°)	Angle α_1 (°)	Wall thickness (mm)	Z 1 (mm)	Z 2 (mm)	Z 3 (mm)	L 1 (mm)	L 2 (mm)	L 3 (mm)
110	50	45	135	2,7	25	27	58	65	60	50



● TEU CU COT 110/50/87,5/180



Diameter DN/OD (mm)	Diameter DN1/OD (mm)	Angle α (°)	Angle α_1 (°)	Wall thickness (mm)	Z 1 (mm)	Z 2 (mm)	Z 3 (mm)	L 1 (mm)	L 2 (mm)	L 3 (mm)
110	50	87,5	175	2,7	53	64	51	65	60	50

