


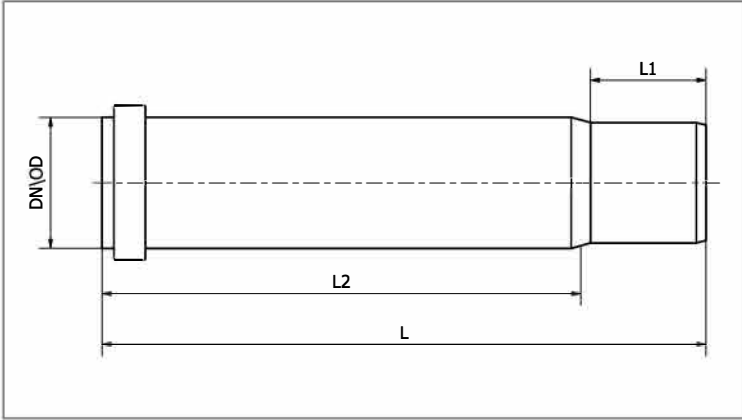

## 5. ASSORTMENT

### 5.2 FITTINGS OF POLYPROPYLENE (PP) FOR THE INTERNAL SEWAGE SYSTEM

#### ● COMPENSATOR



Diameter DN/OD (mm)	Wall thickness (mm)	L (mm)	L1 (mm)	L2 (mm)
50	1,8	251	47	200
110	2,7	250	63	182

Diameter DN/OD (mm)	Wall thickness (mm)	D1 (mm)	L (mm)	L1 (mm)	L2 (mm)
50	1,8	72	123	46	53
110	2,7	124	143	57	66

