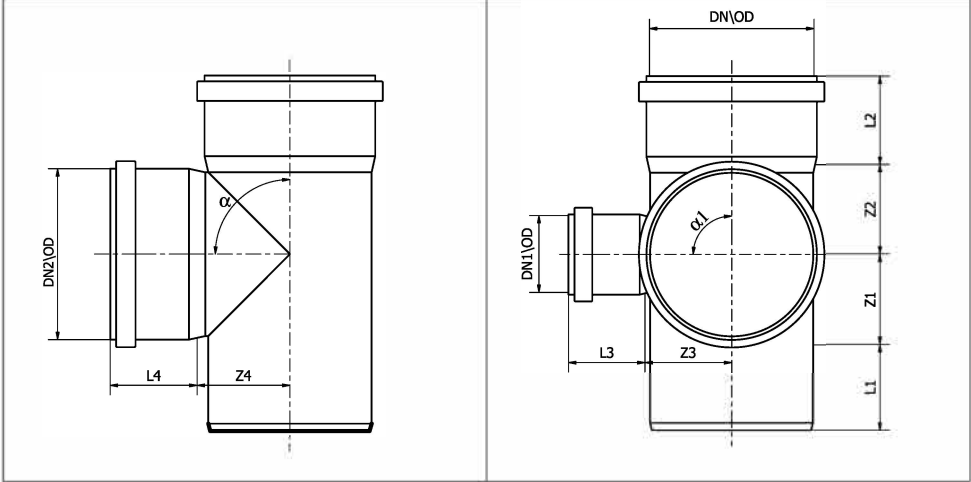



5. ASSORTMENT

5.2 FITTINGS OF POLYPROPYLENE (PP) FOR THE INTERNAL SEWAGE SYSTEM

● RAMIFICAȚIE DUBLĂ DREAPTA (TWO - PLANE) 110/50/110/87,5/87,5

Diameter DN/OD (mm)	Diameter DN1/OD (mm)	Diameter DN2/OD (mm)	Angle α (°)	Angle α_1 (°)	Wall thickness (mm)	Z 1 (mm)	Z 2 (mm)	Z 3 (mm)	Z 4 (mm)	L 1 (mm)	L 2 (mm)	L 3 (mm)	L 4 (mm)
110	50	110	87,5	87,5	2,7	54	61	60	60	64	59	47	59

● RAMIFICAȚIE DUBLĂ STÂNGA (TWO - PLANE) 110/50/110/87,5/87,5 LEFT

Diameter DN/OD (mm)	Diameter DN1/OD (mm)	Diameter DN2/OD (mm)	Angle α (°)	Angle α_1 (°)	Wall thickness (mm)	Z 1 (mm)	Z 2 (mm)	Z 3 (mm)	Z 4 (mm)	L 1 (mm)	L 2 (mm)	L 3 (mm)	L 4 (mm)
110	50	110	87,5	87,5	2,7	54	61	60	60	64	59	47	59

