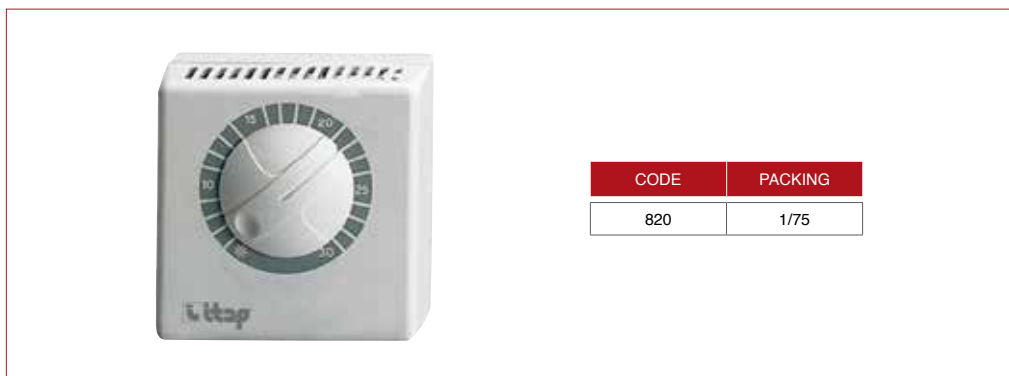


820

MECHANICAL ROOM
THERMOSTAT WITH SIMPLE
SWITCHING

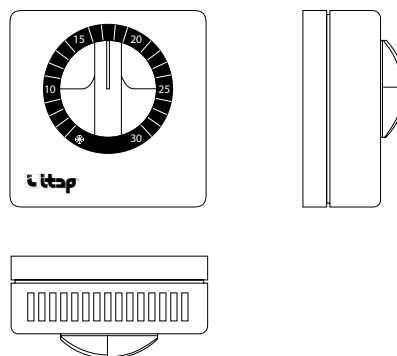


CODE	PACKING
820	1/75

TECHNICAL SPECIFICATIONS

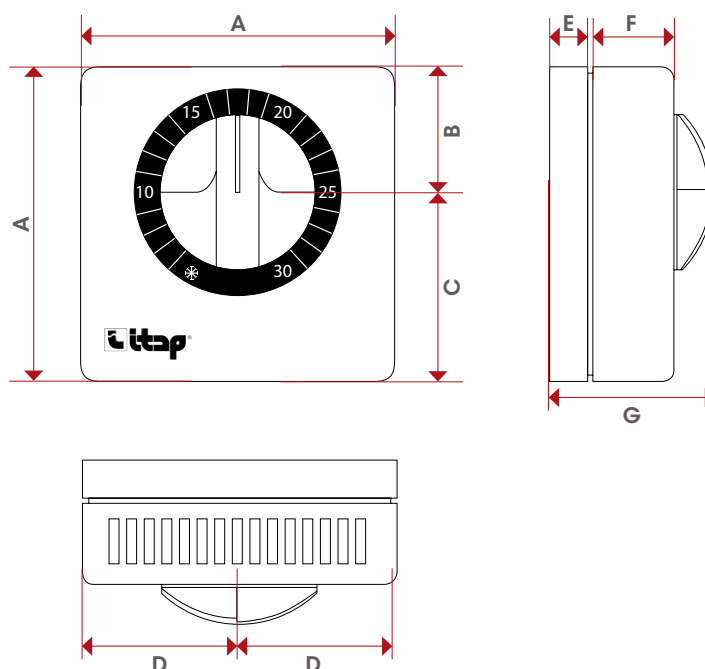
Max connection load (2 terminals): 16 (2,5) A/250Vac.
 Installation: wall mount.
 Temperature setting range: 5°C, 30°C.
 Thermal differential: $\pm 0,8^{\circ}\text{C}$.
 Class of protection: IP 20.
 Dimensions: 71x71x38.
 In compliance with directive: B.T. 73/23/CEE and EMC 89/336/CEE.

MATERIALS



POS.	DESCRIPTION	N.	MATERIAL
1	Body	1	ABS
2	Base	1	Nylon

OVERALL DIMENSIONS



	-
A	71
B	28,5
C	42,5
D	35,5
E	10
F	18,4
G	37,5



INSTALLATION

Uses

This thermostat is designed for automatic regulation of heating and conditioning systems in houses, hotels, schools, offices, workshops and many other environments, both domestic and industrial. It is also ideal for heating and air conditioning numerous industrial and civil applications.

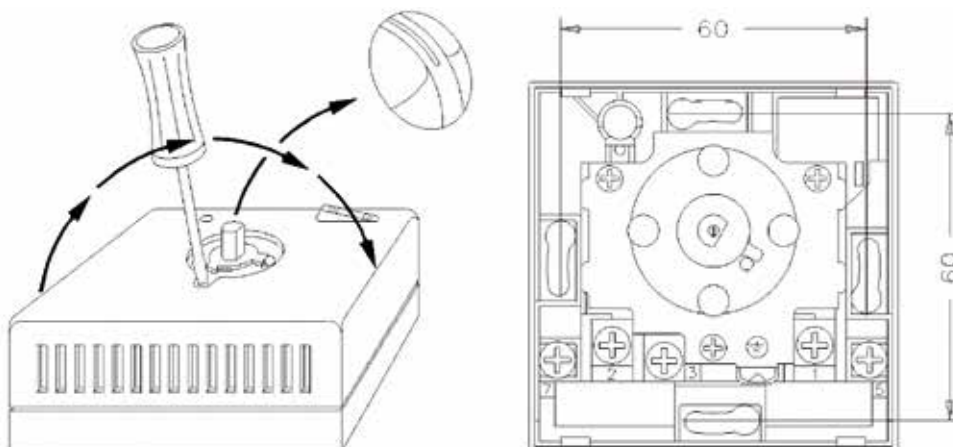
Positioning

You are advised to position the thermostat as far as possible in a place that reflects the average temperature of the whole area. Avoid positioning it near doors, windows, sources of heat and in places where there is too much or too little ventilation.

The thermostat should be fitted at approximately 1.5 m from the ground.

Installation

- 1) The thermostat can be fitted to the flush-mounting box of the electric system (centre distance 60 mm) or directly to the wall (centre distance 60 mm);
- 2) Remove the knob and unscrew the screw of the cover as shown in the drawing;
- 3a) fix the base to the wall
- 3b) connect the thermostat earth by using the terminal marked with the earth symbol
- 3c) follow the wiring diagram inside the cover; fix the flexible inseparable wires to the relative screw terminals
- 3d) replace the cover, screws and knob.



In order to don't damage the switch is recommended to remove the cover following the direction indicated by the arrow.

ELECTRIC CONNECTION

